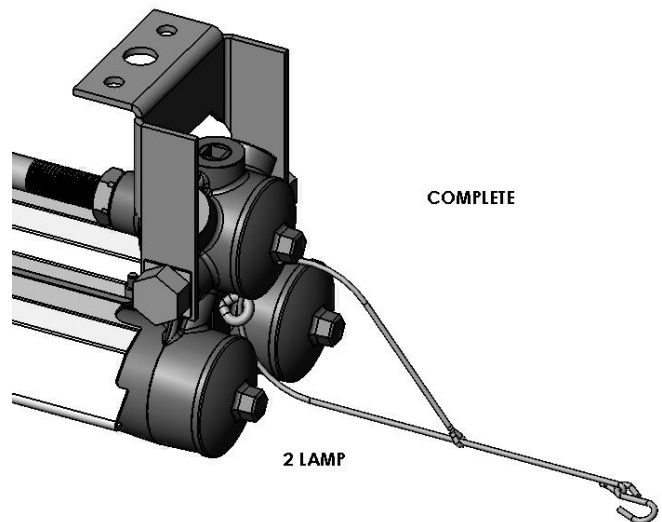
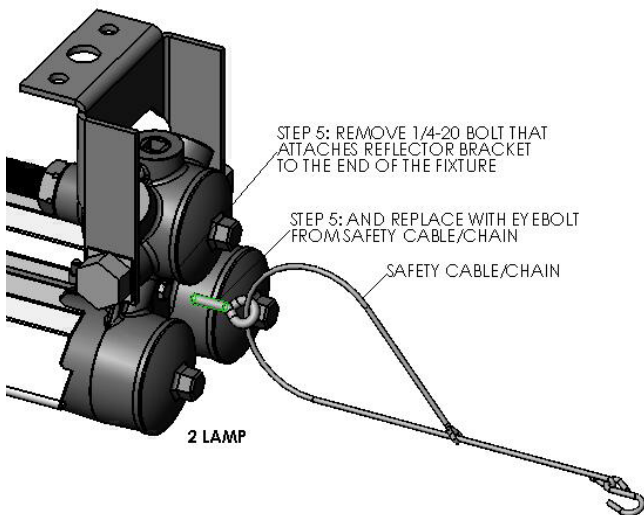
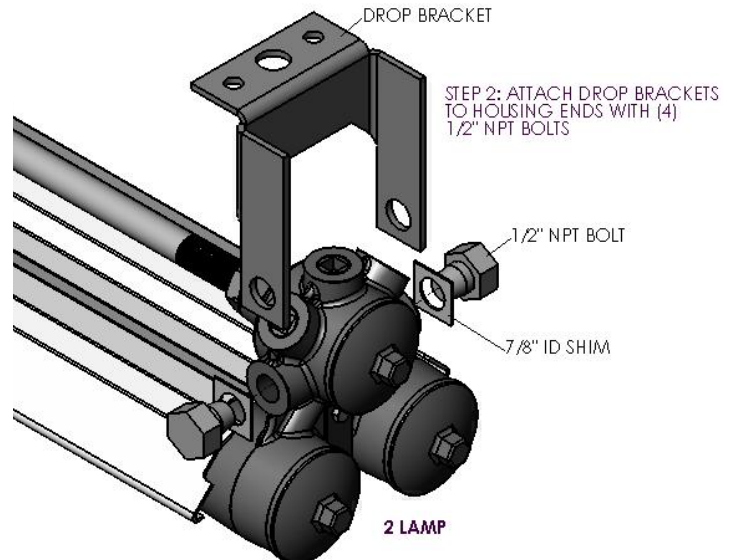
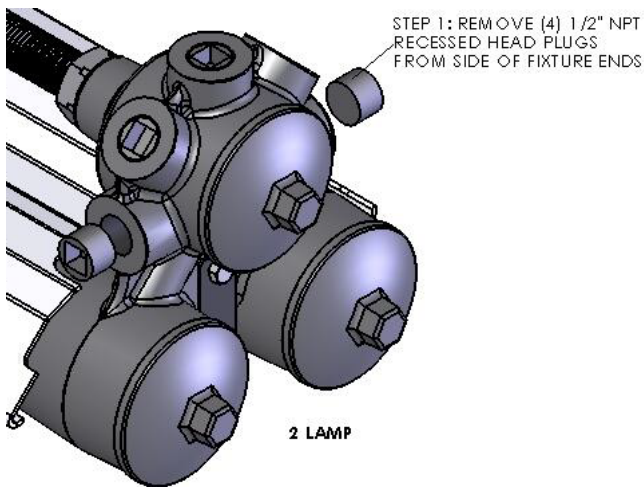




INSTALLATION INSTRUCTIONS FOR DROP MOUNT KIT P/N: 4405, 380 XP EXPLOSION PROOF 2 AND 3 LAMP FLUORESCENT LIGHT FIXTURES

1. REMOVE (4) 1/2" NPT RECESSED HEAD PLUGS FROM SIDE OF FIXTURE ENDS.
2. ATTACH DROP BRACKETS TO HOUSING ENDS WITH (4) 1/2" NPT BOLTS.
NOTE: LUBRICATE ALL THREADS WITH PETROLATUM
3. FIXTURE CAN BE MOUNTED TO STRUCTURE USING 1/2" HOLES IN BRACKET OR IT CAN BE PENDANT MOUNTED USING 7/8" HOLES FOR 1/2" CONDUIT. FIXTURE CAN BE SECURED TO CONDUIT USING A LOCK NUT OR SUITABLE FITTING ON THE END OF THE CONDUIT.
4. RE-LAMPING CAN BE DONE FROM EITHER END BY REMOVING 1/2" NPT BOLTS OR UNFASTENING BRACKET FROM STRUCTURE, AS LONG AS SAFETY CABLE IS AT THE END TO BE DROPPED.
5. REMOVE 1/4-20 BOLT THAT ATTACHES REFLECTOR BRACKET TO THE END OF THE FIXTURE AND REPLACE WITH EYEBOLT FROM SAFETY CABLE/CHAIN.
6. INSTALLATION OF LIGHT FIXTURE DROP MOUNT KIT IS NOW COMPLETE.
7. THIS FIXTURE SHOULD BE INSTALLED BY QUALIFIED TECHNICIANS IN STRICT ACCORDANCE WITH THE NATIONAL ELECTRICAL CODE AND ANY LOCAL REQUIREMENTS.



VERTICAL WALL AND CEILING MOUNTING ONLY WITH THIS MOUNTING KIT.
 NO HORIZONTAL WALL MOUNTING WITH THIS MOUNTING KIT.
 USE FLEXIBLE CONDUIT COUPLING TO ALLOW FIXTURE TO PIVOT.

