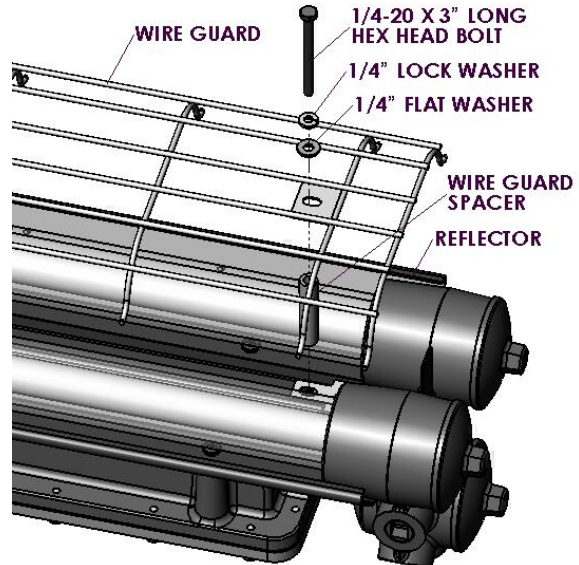
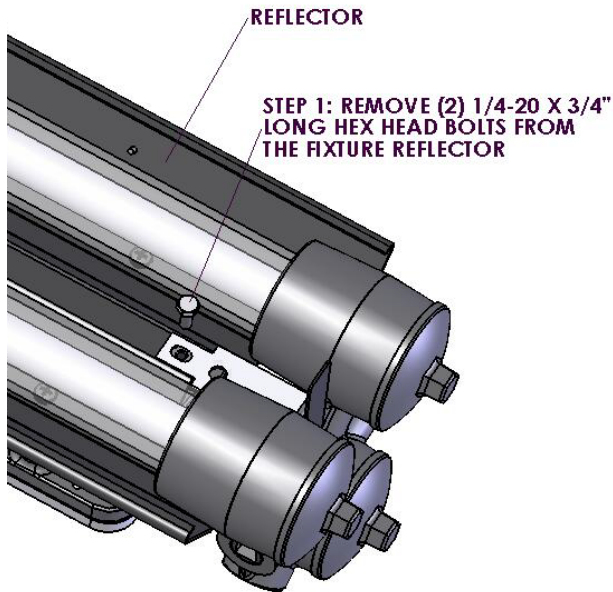




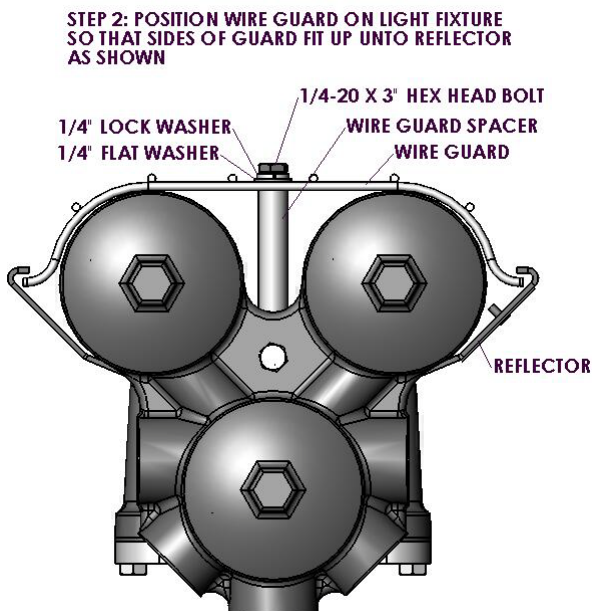
INSTALLATION INSTRUCTIONS FOR STAINLESS STEEL WIRE GUARD KIT P/N 4466 (2FT) 4211 (4FT) 2 LAMP FLUORESCENT LIGHT FIXTURES

1. Remove (2) 1/4-20 x 3/4" long hex head bolts from the fixture reflector.
2. Position wire guard on light fixture so that sides of guard fit up into reflector as shown.
3. Secure wire guard to fixture using 1/4-20 x 3" long hex head bolts and spacers in place of the removed 3/4" long bolts.
4. Installation of the wire guard onto the light fixture is now complete.
5. This fixture should be installed by qualified technicians in strict accordance with the National Electrical Code and any local requirements.

NOTE: FOR 4 LAMP FIXTURE USE 2 WIRE GUARD KITS OF P/N 4211



STEP 3: SECURE WIRE GUARD TO FIXTURE USING 1/4-20 X 3" LONG HEX HEAD BOLTS AND SPACERS IN PLACE OF THE REMOVED 3/4" LONG BOLTS



COMPLETE

