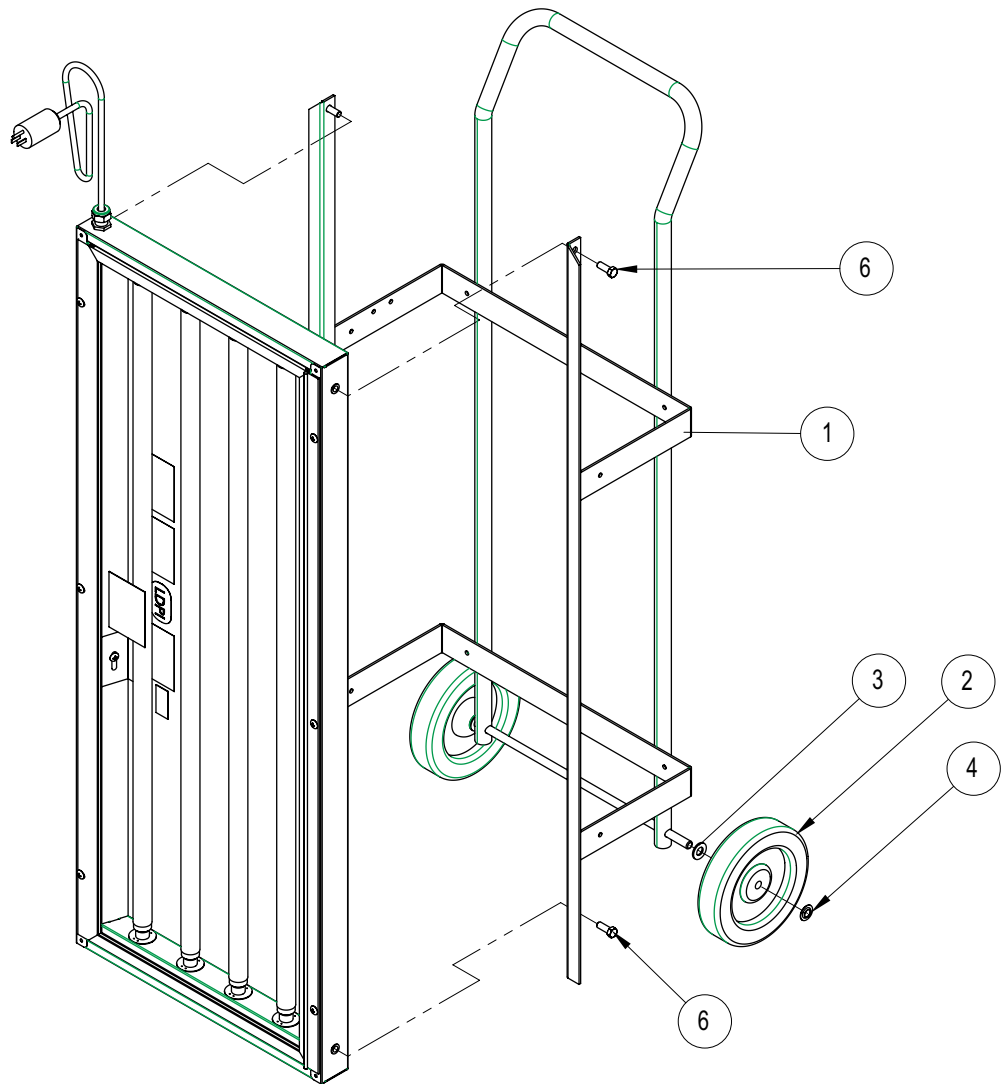


ITEM NO.	DESCRIPTION	FOR ASSY INSTRUCTIONS/QTY.	RAW QTY.	PART NUMBER
1	WHEEL CART WDMENT	1		4345
2	WHEEL SEMI-PNEUMATIC 8"OD W/1/2" BORE	2		4341
3	FLAT WASHER 1/2" SAE ZINC	2		3634
4	PUSH RETAINER 1/2" SHAFT 1" OD	2		4343
5	FLUORESCENT FIXTURE 32W T8	1		
6	HHCS 3/8-16 x 1 ZINC-PLATED	4		4441

ASSEMBLY DIAGRAM FOR THE 4346 CART SERIES



P/N: 8551